
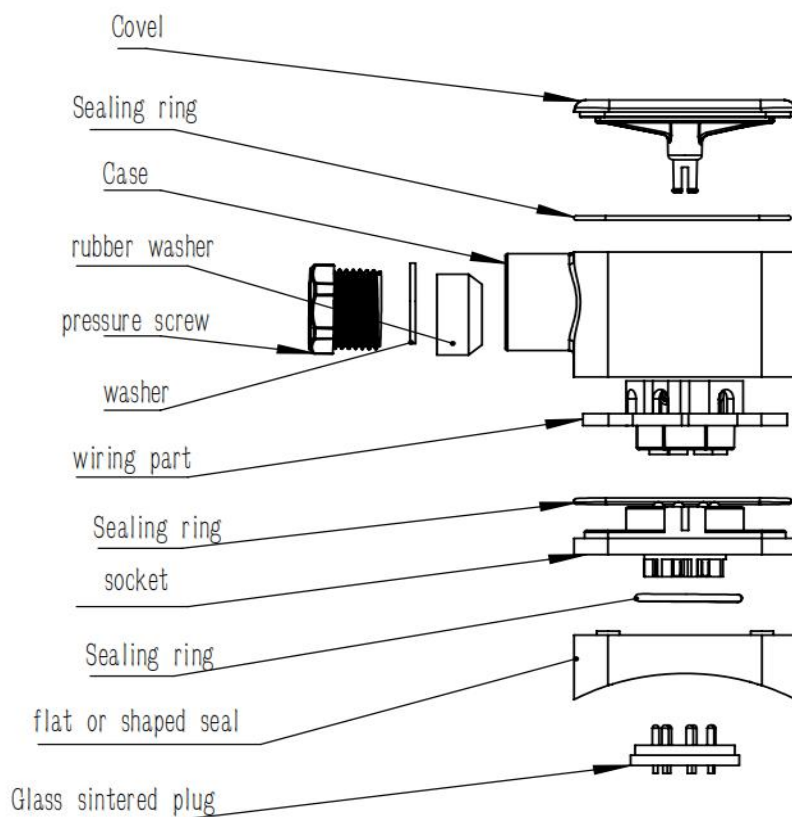
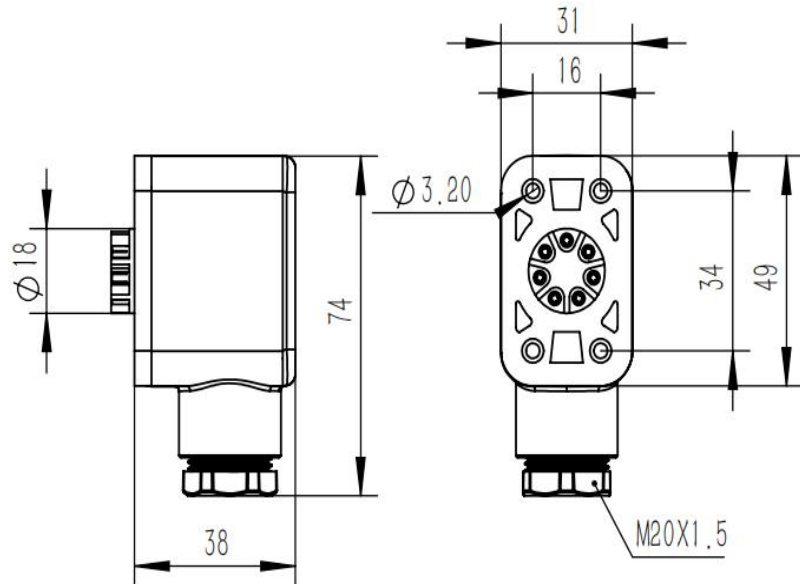


Universal connector of Density monitor (with Glass sintered plug)

NG100 Universal connector

Product parameter


1. Color:Black
2. 6-Pin+ 
3. Nominal Voltage 220V
4. Continuous current max .16A
5. Volume resistance $\leq 15m \Omega$
6. Device side: Solder connection up to 2.0 mm²(Brass tinned)
7. Terminal space: Screw terminals up to 1.5 mm² (Brass tinned) with wire protection
8. Cable gland M16X1.5
9. Pipe outer diameter 7-13mm
10. Ambient temperature -40 to +85 °C
11. Suitable for liquid-filled equipment
12. Insulation resistance $\geq 20M \Omega$
13. Dielectric strength : 2.5KV, 1Min

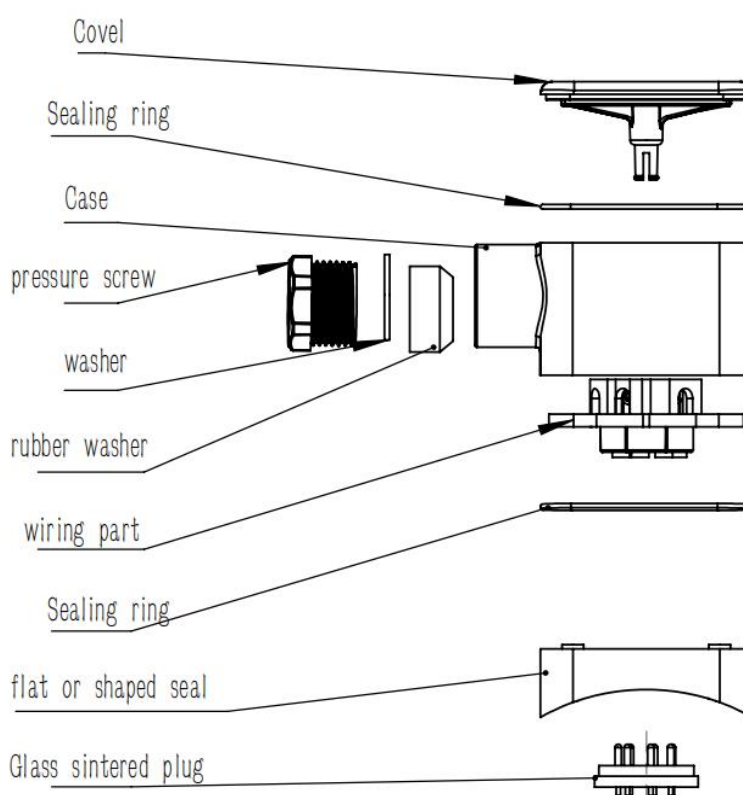
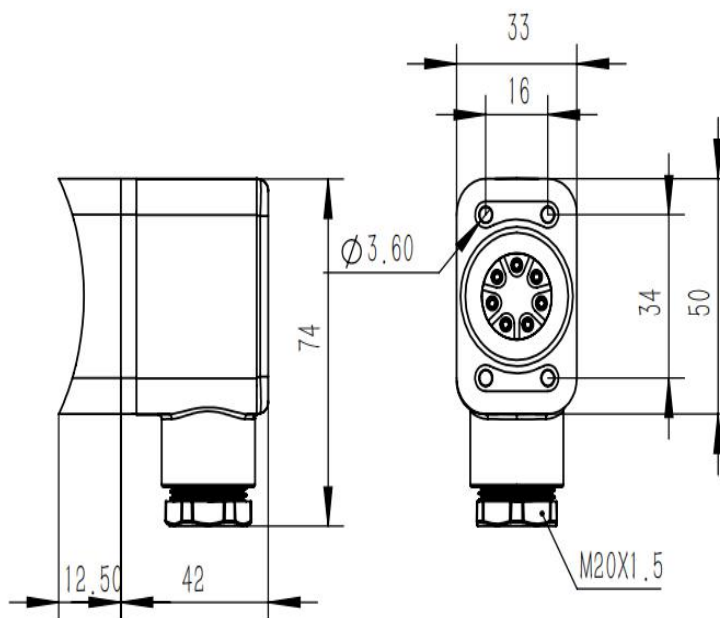


Universal connector of Density monitor (with Glass sintered plug)

NG100 Universal connector

Product parameter


1. Color:Black
2. 6-Pin+ 
3. Nominal Voltage 220V
4. Continuous current max .16A
5. Volume resistance $\leq 15m \Omega$
6. Device side: Solder connection up to 2.0 mm²(Brass tinned)
7. Terminal space: Screw terminals up to 1.5 mm² (Brass tinned) with wire protection
8. Cable gland M16X1.5
9. Pipe outer diameter 7-13mm
10. Ambient temperature -40 to+85 °C
11. Suitable for liquid-filled equipment
12. Insulation resistance $\geq 20M \Omega$
13. Dielectric strength : 2.5KV,1Min

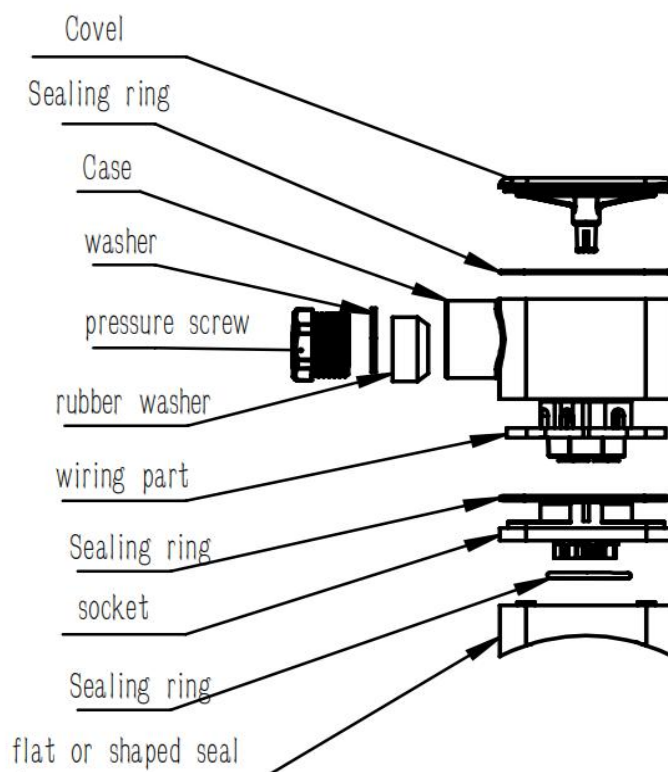
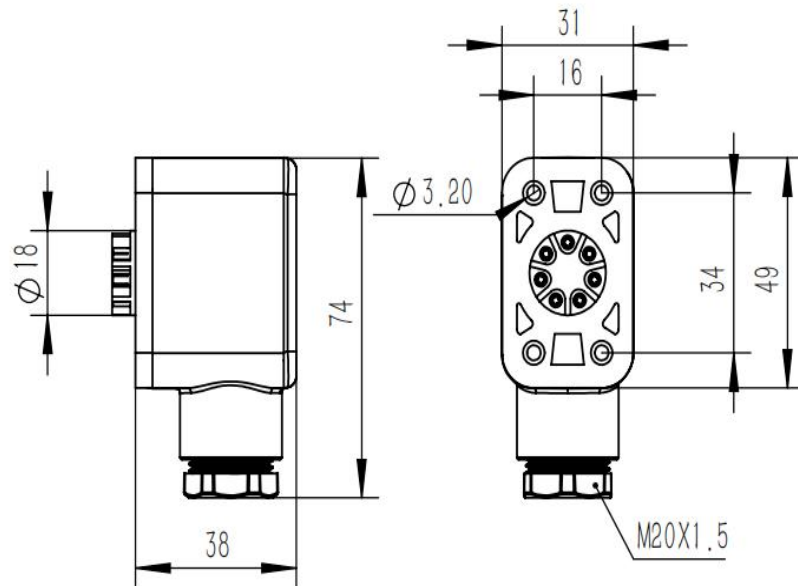


Universal connector of pressure gauge

NG100 Universal connector

Product parameter


1. Color:Black
2. 6-Pin+ 
3. Nominal Voltage 220V
4. Continuous current max .16A
5. Volume resistance $\leq 15m \Omega$
6. Device side: Solder connection up to 2.0 mm²(Brass tinned)
7. Terminal space: Screw terminals up to 1.5 mm² (Brass tinned) with wire protection
8. Cable gland M16X1.5
9. Pipe outer diameter 7-13mm
10. Ambient temperature -40 to +70 °C
11. Suitable for liquid-filled equipment
12. Insulation resistance $\geq 20M \Omega$
13. Dielectric strength : 2.5KV,1Min

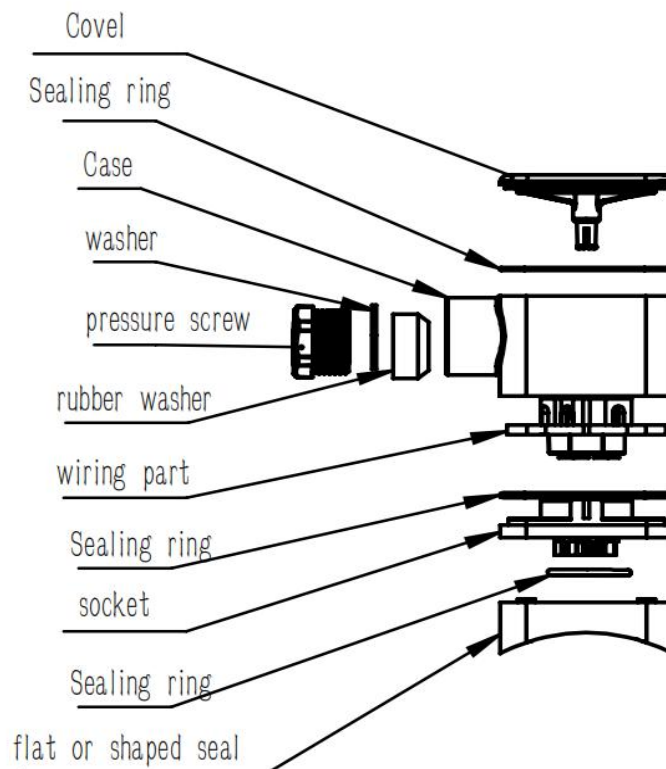
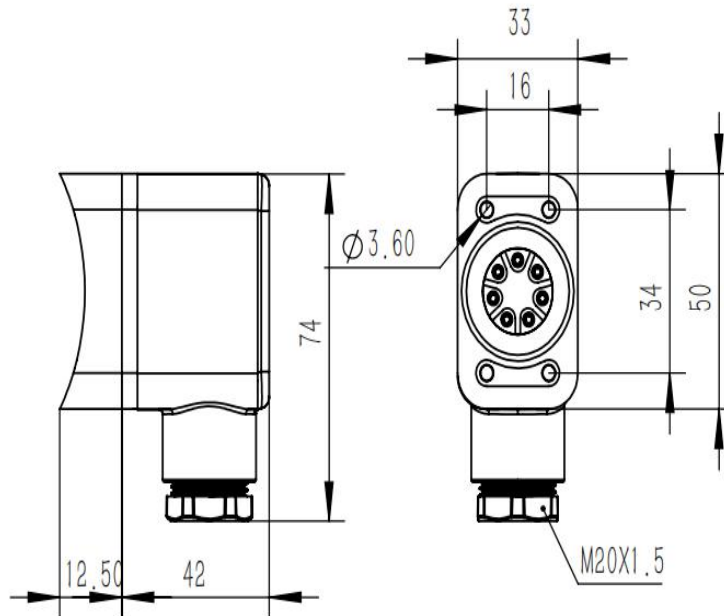


Universal connector of Density monitor

NG100 Universal connector

Product parameter


1. Color:Black
2. 6-Pin+ 
3. Nominal Voltage 220V
4. Continuous current max .16A
5. Volume resistance $\leq 15m \Omega$
6. Device side: Solder connection up to 2.0 mm²(Brass tinned)
7. Terminal space: Screw terminals up to 1.5 mm² (Brass tinned) with wire protection
8. Cable gland M16X1.5
9. Pipe outer diameter 7-13mm
10. Ambient temperature -40 to+85 °C
11. Suitable for liquid-filled equipment
12. Insulation resistance $\geq 20M \Omega$
13. Dielectric strength : 2.5KV,1Min



Universal connector of pressure gauge

NG100 Universal connector

Product parameter

1. Color:Black
2. 3-Pin+ 
3. Nominal Voltage 220V
4. Continuous current max .16A
5. Volume resistance $\leq 15m \Omega$
6. Device side: Solder connection up to 2.0 mm²(Brass tinned)
7. Terminal space: Screw terminals up to 1.5 mm² (Brass tinned) with wire protection
8. Cable gland M16X1.5
9. Pipe outer diameter 7-13mm
10. Ambient temperature -40 to+85 °C
11. Suitable for liquid-filled equipment
12. Insulation resistance $\geq 20M \Omega$
13. Dielectric strength : 2KV,1Min

